

PLEASE CHECK WWW.MOLEX.COM FOR LATEST PART INFORMATION

Part Number: [0878390011](#)
Status: **Active**
Description: 1.27mm (.050") Signal Pitch, 0.80mm (.031") SCSI Pitch, 1.27mm (.050") Power Pitch SAS Receptacle, Vertical, Hybrid, with Straight Solder Tab, 3.00mm (.120") PCB Thickness, Tray Packaging, with Cap, 29 Circuits, Lead free

Documents:

[3D Model](#) [Product Specification PS-87839-041 \(PDF\)](#)
[Drawing \(PDF\)](#) [RoHS Certificate of Compliance \(PDF\)](#)

Agency Certification

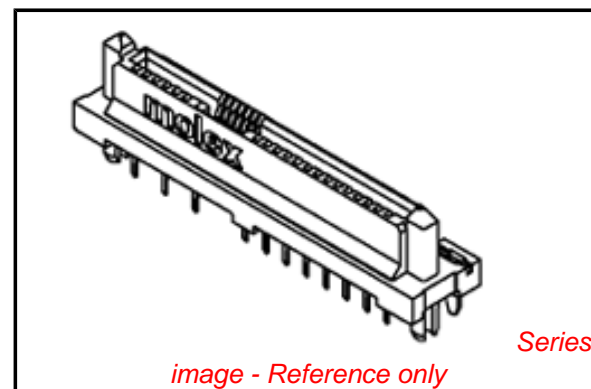
CSA LR19980
 UL E29179

General

Product Family I/O Connectors
 Series [87839](#)
 Application Board-to-Board
 Comments With pick and place cap
 Component Type Receptacle
 Product Name SAS
 Type N/A

Physical

Boot Color N/A
 Circuits (Loaded) 29
 Circuits (maximum) 29
 Circuits Detail Signal 7, SCSI 7, Power 15
 Color - Resin Black
 Durability (mating cycles max) 500
 Flammability 94V-0
 Gender Female
 Keying to Mating Part Yes
 Lock to Mating Part None
 Material - Metal Phosphor Bronze
 Material - Plating Mating Gold, Tin
 Material - Plating Termination Tin
 Material - Resin High Temperature Thermoplastic
 Number of Rows 2
 Orientation Vertical
 PC Tail Length (in) 0.118 In, 0.137 In
 PC Tail Length (mm) 2.99 mm, 3.49 mm
 PCB Locator Yes
 PCB Retention Yes
 PCB Thickness Recommended (in) 0.120 In
 PCB Thickness Recommended (mm) 3.00 mm
 Packaging Type Tray
 Panel Mount Yes
 Pitch - Mating Interface (in) 0.031 In, 0.050 In
 Pitch - Mating Interface (mm) 0.80 mm, 1.27 mm
 Pitch - Term. Interface (in) 0.031 In, 0.050 In
 Pitch - Term. Interface (mm) 0.80 mm, 1.27 mm
 Plating min: Mating (µin) 30
 Plating min: Mating (µm) 0.76
 Plating min: Termination (µin) 102
 Plating min: Termination (µm) 2.54



EU RoHS

ELV and RoHS Compliant
REACH SVHC
 Not Reviewed
Halogen-Free Status

China RoHS



Need more information on product environmental compliance?

Email productcompliance@molex.com
 For a multiple part number RoHS Certificate of Compliance, [click here](#)

Please visit the [Contact Us](#) section for any non-product compliance questions.

Search Parts in this Series

[87839Series](#)

Mates With

Device Plugs [87679](#) , [87799](#) , [87703.](#) , SFF 8482 Hard Disk Drive and Backplane Plug

Polarized to Mating Part	Yes
Polarized to PCB	Yes
Surface Mount Compatible (SMC)	N/A
Temperature Range - Operating	0°C to +55°C
Termination Interface: Style	Surface Mount, Through Hole
Waterproof / Dustproof	No
Wire Size AWG	N/A

Electrical

Current - Maximum per Contact	1.5A
Shielded	No
Voltage - Maximum	30V

Solder Process Data

Duration at Max. Process Temperature (seconds)	10
Lead-free Process Capability	Reflow Capable (SMT only)
Max. Cycles at Max. Process Temperature	1
Process Temperature max. C	260

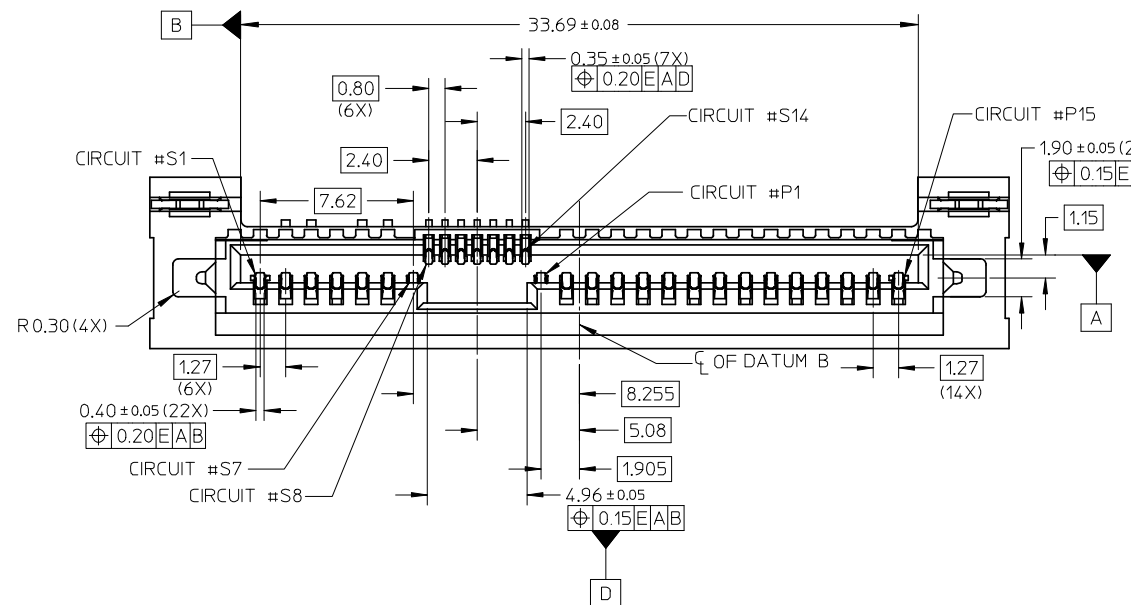
Material Info

Reference - Drawing Numbers

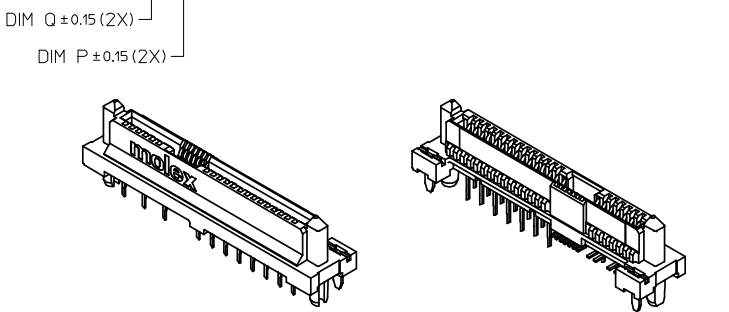
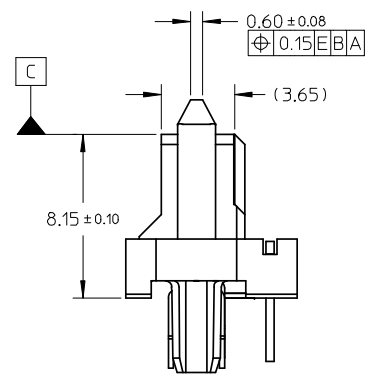
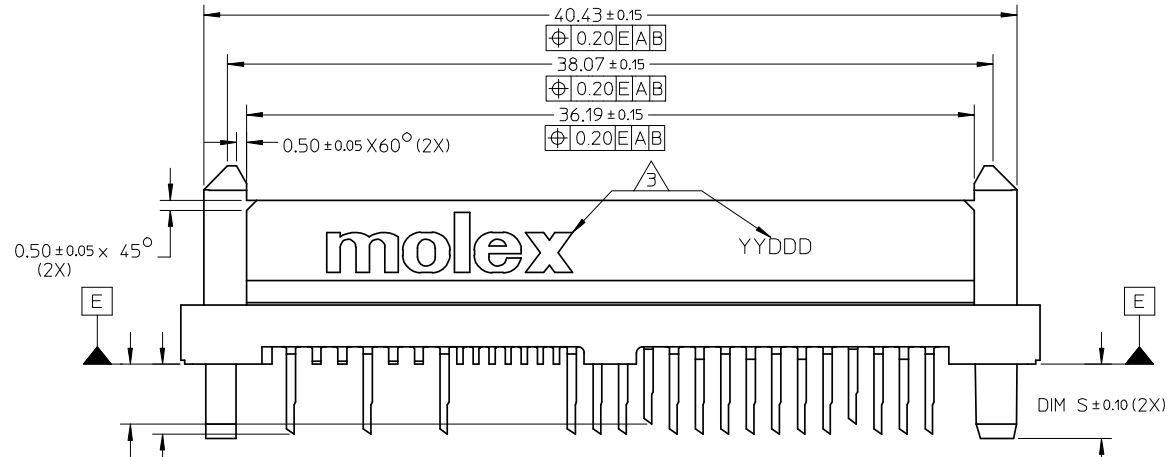
Product Specification	PS-87839-041
Sales Drawing	SD-87839-040

This document was generated on 04/09/2010

PLEASE CHECK WWW.MOLEX.COM FOR LATEST PART INFORMATION

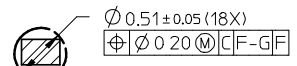
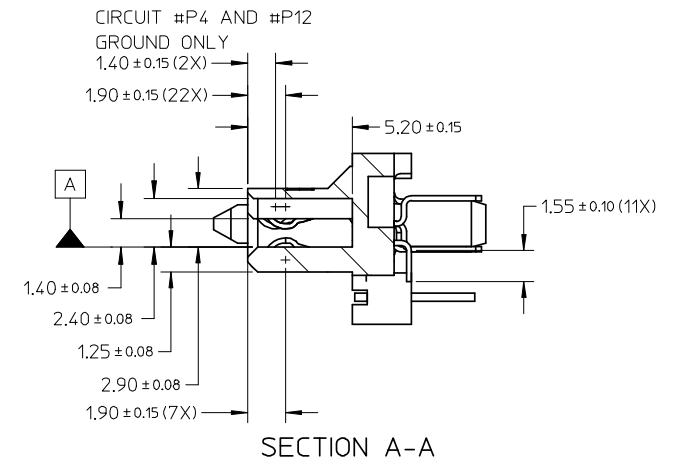
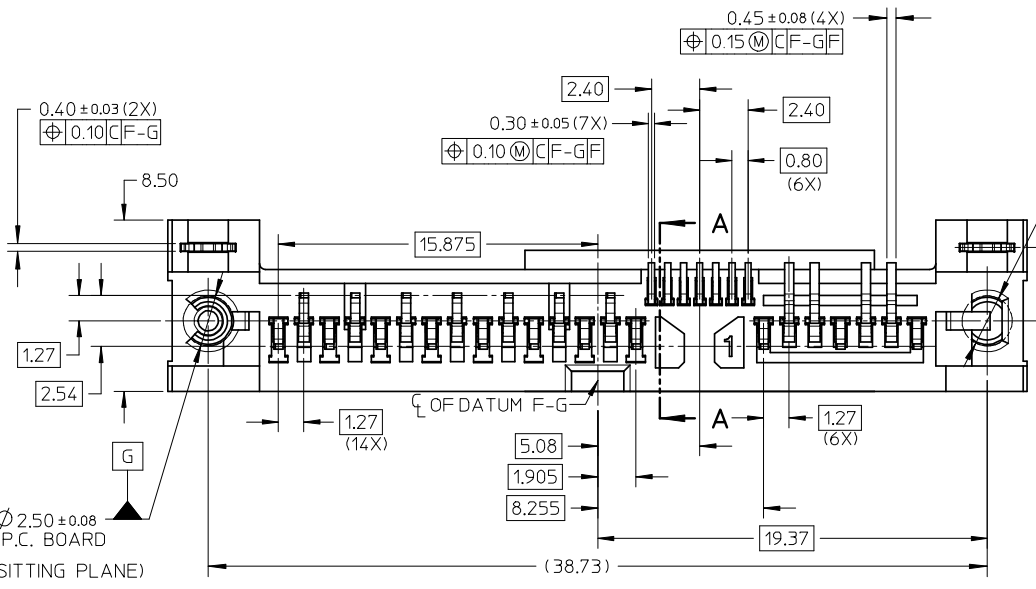
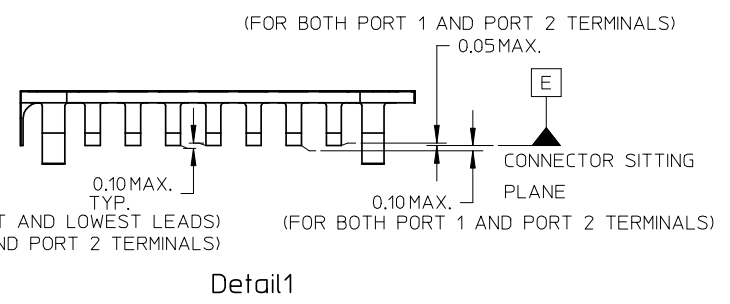
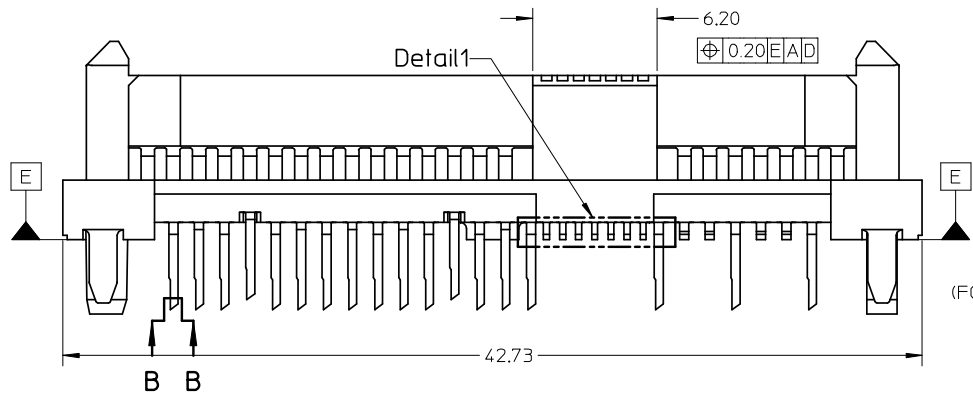


- NOTES:
- MATERIAL: LIQUID CRYSTALLINE POLYMER (LCP), GLASS FILLED, UL 94V-0, COLOR: BLACK
TERMINAL: COPPER ALLOY
 - PLATING:
CONTACT: $0.76 \mu\text{m}$ MIN. SELECTIVE GOLD OVER $1.27 \mu\text{m}$ MIN. NICKEL UNDERPLATE.
SOLDERTAIL: $2.54 \mu\text{m}$ MIN. TIN OVER $1.27 \mu\text{m}$ MIN. NICKEL UNDERPLATE.
 - MOLEX LOGO AND DATE CODE LOCATED APPROXIMATELY AS SHOWN.
 - PACKAGING: SEE TABLE
 - PRODUCT IS COMPLIANT TO RoHS DIRECTIVE WITH THE FOLLOWING BANNED SUBSTANCES - LEAD, MERCURY, CADMIUM, HEXAVALENT CHROMIUM, POLYBROMINATED BIPHENYLS AND POLYBROMINATED DIPHENYL ETHERS.
 - PRODUCT SPECIFICATION PS-87839-041 APPLIES.
 - MATES WITH: SFF-8482 PLUG
SATA PLUG SERIES: 87679, 87703, 87799



UPDATE DRAWING EC NO: S2008-0663 2008/02/14 DRW:KHLIM 2008/02/15 CHK:CGOH 2008/02/18 APPR:KCLING	QUALITY SYMBOLS ▽=0 ◻=0	GENERAL TOLERANCES (UNLESS SPECIFIED)		DIMENSION STYLE MM ONLY		SCALE NTS		DESIGN UNITS METRIC		THIRD ANGLE PROJECTION	
		4 PLACES ± --- ± --- 3 PLACES ± --- ± --- 2 PLACES ± 0.20 ± --- 1 PLACE ± --- ± ---		DRAWN BY: DKOH DATE: 2004/11/23		TITLE: SERIAL ATTACH SCSI RECEPTACLE, HYBRID STANDARD HEIGHT		MOLEX INCORPORATED		SHEET NO. 1 OF 4	
		ANGULAR ± 3°		APPROVED BY: SKTOH DATE: 2004/12/01		MATERIAL NO. SEE TABLE		DOCUMENT NO. SD-87839-040		THIS DRAWING CONTAINS INFORMATION THAT IS PROPRIETARY TO MOLEX INCORPORATED AND SHOULD NOT BE USED WITHOUT WRITTEN PERMISSION	
		DRAFT WHERE APPLICABLE MUST REMAIN WITHIN DIMENSIONS		SIZE A3		SEE TABLE		SEE TABLE		SEE TABLE	

10 9 8 7 6 5 4 3 2 1



SECTION B-B

UPDATE DRAWING	2008/02/14	2008/02/15	2008/02/18
EC NO: S2008-0663	DRW:KHLIM	CHKD:CGOH	APPR:KCLING
DESCRIPTION	REV	REV	REV
QUALITY SYMBOLS	DESCRIPTION	REV	REV
	=0		
	=0		

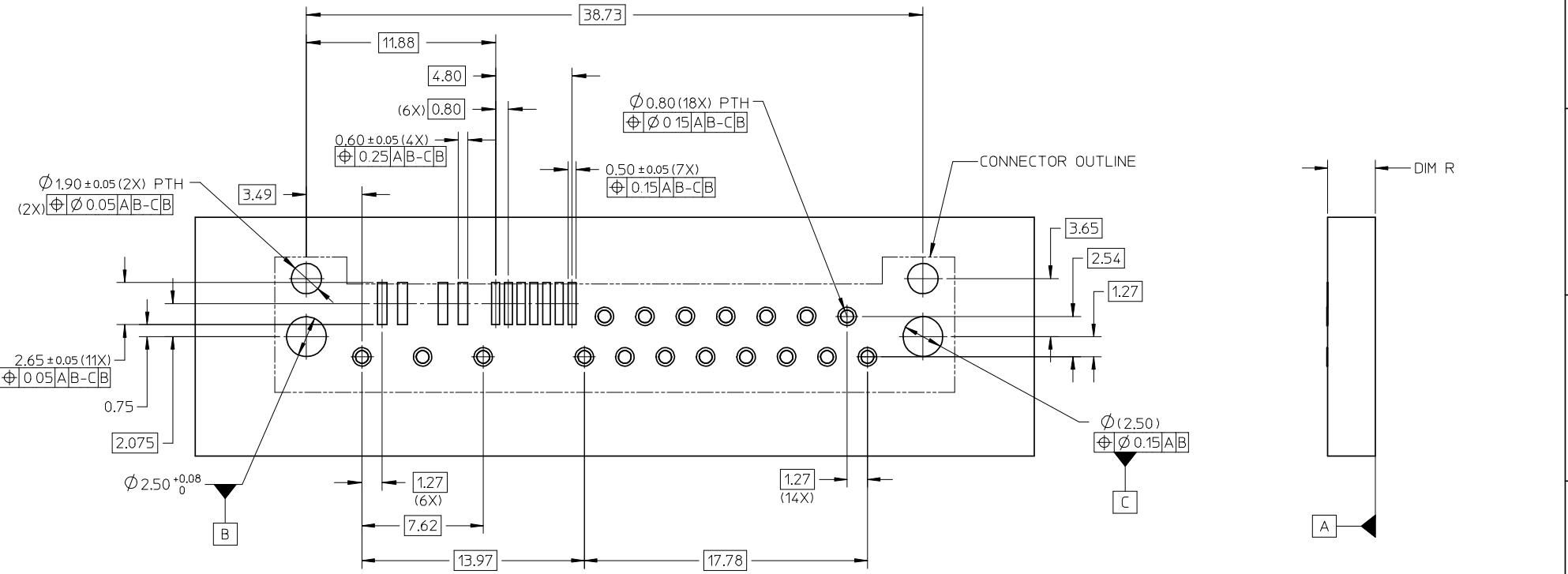
GENERAL TOLERANCES (UNLESS SPECIFIED)	mm	INCH
	4 PLACES ± ---	± ---
	3 PLACES ± ---	± ---
	2 PLACES ± 0.20	± ---
	1 PLACE ± ---	± ---
ANGULAR ± 3 °		
DRAFT WHERE APPLICABLE MUST REMAIN WITHIN DIMENSIONS		

DIMENSION STYLE		SCALE	DESIGN UNITS	THIRD ANGLE PROJECTION
MM ONLY		NTS	METRIC	
DRAWN BY	DATE	TITLE		
DKOH	2004/11/23	SERIAL ATTACH SCSI RECEPTACLE, HYBRID STANDARD HEIGHT		
CHECKED BY	DATE			
KCLING	2004/12/01			
APPROVED BY	DATE			
SKTOH	2004/12/01			
MATERIAL NO.	DOCUMENT NO.			
SEE TABLE	SD-87839-040			
SIZE	THIS DRAWING CONTAINS INFORMATION THAT IS PROPRIETARY TO MOLEX INCORPORATED AND SHOULD NOT BE USED WITHOUT WRITTEN PERMISSION			
A3				

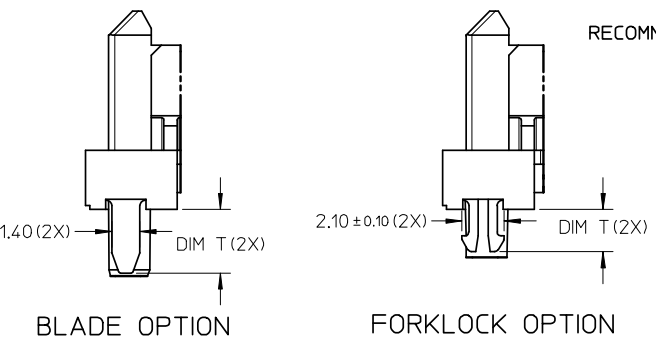
SERIAL ATTACH SCSI RECEPTACLE, HYBRID STANDARD HEIGHT		MOLEX INCORPORATED	
SD-87839-040		SHEET NO. 2 OF 4	

9 8 7 6 5 4 3 2 1

10	9	8	7	6	5	4	3	2	1
PART NO	PACKAGING	QUANTITY	HOLD DOWN	PICK AND PLACE CAP	DIM P (16X) (PORT 1 AND POWER PORT) (EXCLUDING P4 AND P12)	DIM Q (2X) (PORT P4 AND P12)	DIM R PCB THICKNESS	DIM S (2X) PEG HEIGHT	DIM T (2X) BLADE/FORKLOCK HEIGHT
87839-0011	TRAY	50/TRAY	BLADE	YES	3.49±0.15	2.99±0.15	3.00±0.10	3.70±0.10	3.12
87839-0019	TRAY	30/TRAY	BLADE	NO	3.49±0.15	2.99±0.15	3.00±0.10	3.70±0.10	3.12
87839-0017	TAPE AND REEL	350/REEL	BLADE	YES	3.49±0.15	2.99±0.15	3.00±0.10	3.70±0.10	3.12
87839-0018	TAPE AND REEL	350/REEL	BLADE	YES	2.36±0.15	2.36±0.15	2.36±0.10	2.00±0.10	2.36
87839-0039	TAPE AND REEL	350/REEL	FORKLOCK	YES	2.11±0.15	2.11±0.15	2.36±0.10	2.00±0.10	2.06

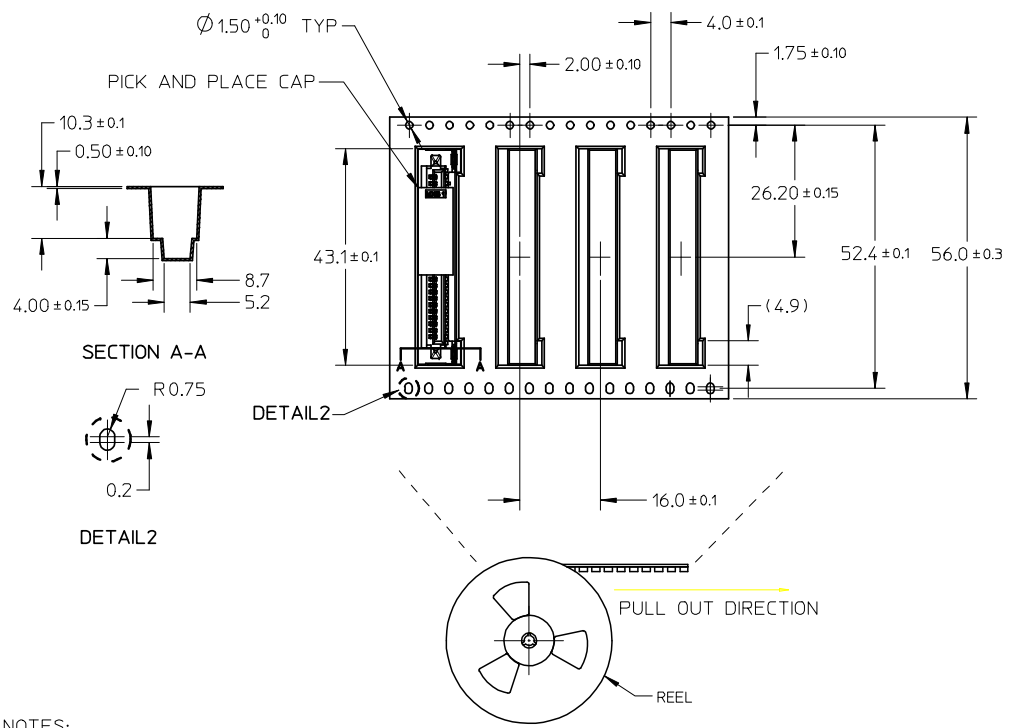


RECOMMENDED PCB LAYOUT
RECOMMENDED PCB THICKNESS DIM R±0.10



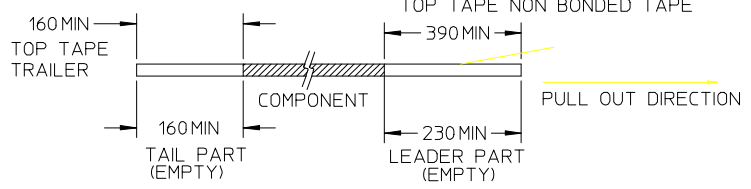
UPDATE DRAWING EC NO: S2008-0663 DRW:KHLIM CHKD:CGOH APPR:KCLING	2008/02/14 2008/02/15 2008/02/18	QUALITY SYMBOLS ▽=0 ◻=0	GENERAL TOLERANCES (UNLESS SPECIFIED)		DIMENSION STYLE MM ONLY		SCALE NTS	DESIGN UNITS METRIC	THIRD ANGLE PROJECTION			
			4 PLACES	± ---	± ---	DRAWN BY DKOH	DATE 2004/11/23	TITLE SERIAL ATTACH SCSI RECEPTACLE, HYBRID STANDARD HEIGHT				
			3 PLACES	± ---	± ---	CHECKED BY KCLING	DATE 2004/12/01	MOLEX INCORPORATED				
			2 PLACES	± 0.20	± ---	APPROVED BY SKTOH	DATE 2004/12/01	MATERIAL NO. SEE TABLE	DOCUMENT NO. SD-87839-040	SHEET NO. 3 OF 4		
1 PLACE	± ---	± ---	ANGULAR ± 3 °		THIS DRAWING CONTAINS INFORMATION THAT IS PROPRIETARY TO MOLEX INCORPORATED AND SHOULD NOT BE USED WITHOUT WRITTEN PERMISSION							
DRAFT WHERE APPLICABLE MUST REMAIN WITHIN DIMENSIONS			SIZE A3									

TAPE AND REEL PACKAGING

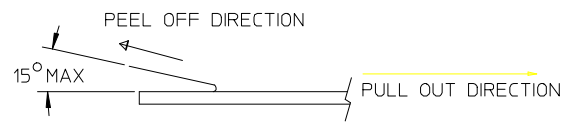


NOTES:

1. LEADER AND TRAILER TAPE



2. PEELING OFF FORCE OF THE TOP TAPE: 80gf MAX.
(PEELING DIRECTION AS SHOWN IN FOLLOWING FIGURE)

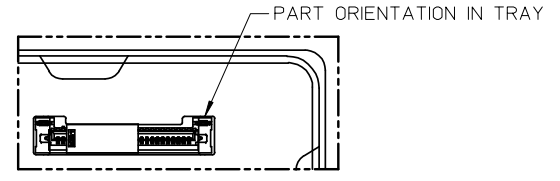
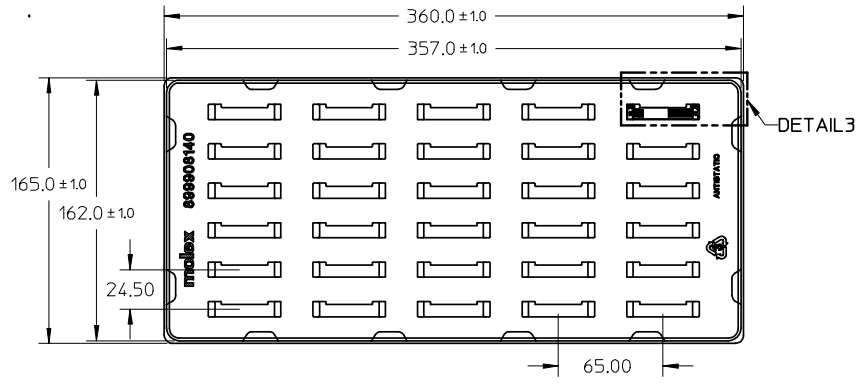


3. PACKAGING QTY IS: 350 PCS/REEL

4. PACKAING STANDARD IS AS PER EIA-481.

5. CONNECTOR COMES WITH PICK AND PLACE CAP.

TRAY PACKAGING



DETAIL3

NOTES:

- 1. PACKAGING QTY: 30PCS/TRAY
- 2. NO PICK AND PLACE CAP

UPDATE DRAWING EC NO: S2008-0663 DRW:KHLIM CHK:D:CGOH APPR:KCLING 2008/02/14 2008/02/15 2008/02/18	QUALITY SYMBOLS ▽=0 ◻=0	GENERAL TOLERANCES (UNLESS SPECIFIED)		DIMENSION STYLE MM ONLY		SCALE NTS	DESIGN UNITS METRIC	THIRD ANGLE PROJECTION	
			mm	INCH	DRAWN BY DKOH	DATE 2004/11/23	TITLE SERIAL ATTACH SCSI RECEPTACLE, HYBRID STANDARD HEIGHT		
		4 PLACES	± ---	± ---	CHECKED BY KCLING	DATE 2004/12/01	MOLEX INCORPORATED		
		3 PLACES	± ---	± ---	APPROVED BY SKTOH	DATE 2004/12/01	MATERIAL NO.	DOCUMENT NO.	SHEET NO.
		2 PLACES	± 0.20	± ---	DRAFT WHERE APPLICABLE MUST REMAIN WITHIN DIMENSIONS		SEE TABLE	SD-87839-040	4 OF 4
1 PLACE	± ---	± ---	ANGULAR ± 3 °		THIS DRAWING CONTAINS INFORMATION THAT IS PROPRIETARY TO MOLEX INCORPORATED AND SHOULD NOT BE USED WITHOUT WRITTEN PERMISSION				